



Oil drain pans, made from plastic, oil and chemical resistant with practical pouring nose

KS TOOLS
150.9359 Oil drain pan, capacity 7,6 Litre
 Ø 385 mm, height 130 mm

KS TOOLS
150.9360 Oil drain pan, capacity 17 Litre
 Ø 445 mm, height 145 mm



Oil drain pan, made from plastic, extra flat, capacity 55 Litre, oil and chemical resistant

KS TOOLS
150.9358
 - With 4 carry handles
 - 11 cm high extra flat for lower vehicles
 - Suitable for oil, chemicals, petrol, acids and antifreeze
 - Non-spill, turned in rim, stops spillage during transport

Emptying feature: Ø 7 cm makes for clean emptying
Weight: 9 kg
Material: Polyethylene
Wall thickness:: 5 mm
Size: D 1030 x W 724 x H 110 mm



Fuel pipe pliers



- A** 115.1091 Fuel pipe plier Ø 8
- B** 115.1092 Fuel pipe plier Ø 10
- C** 115.1093 Fuel pipe plier GM-Opel

- Three piece assortment for opening the compression coupling the fuel pipe
- Blue and green pliers for the fuel pipe, where the compression coupling is connected (removing the coupling at the front side)
- Red pliers with two noses 6,5 x 6 mm for fuel pipes eg GM and Opel (removing the coupling at the side)

Applications:
Chrysler, Chevrolet, Citroën, Fiat, Ford, Opel, Peugeot, Pontiac, Renault, VW etc.



Fuel pipe plier set, 3-pcs.



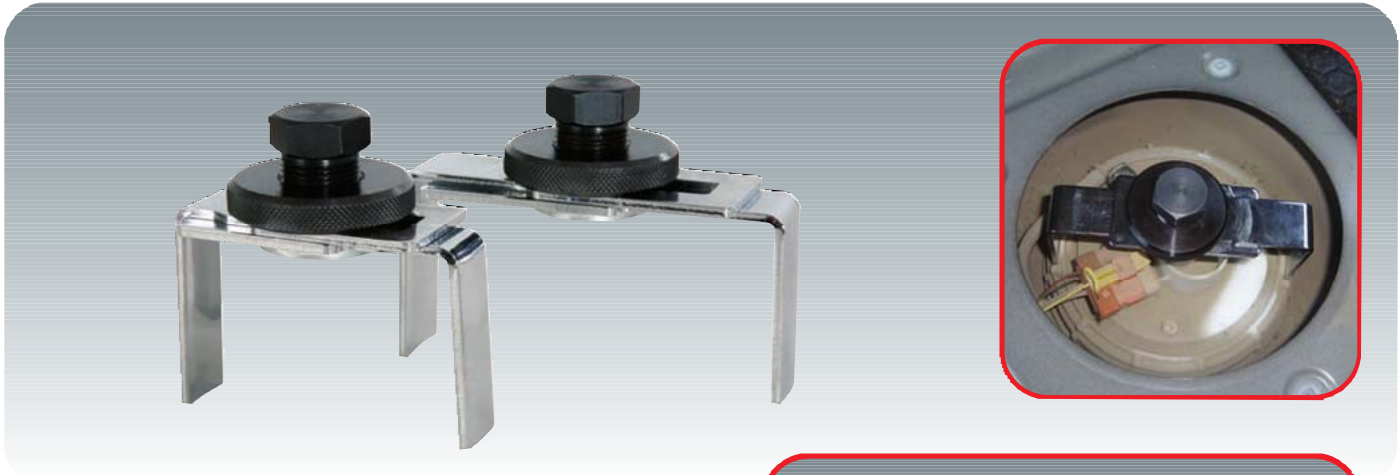
- 1 x Fuel pipe plier Ø 8
- 1 x Fuel pipe plier Ø 10
- 1 x Fuel pipe plier GM-Opel



Special pliers for removing hose connections from spouts



115.1044
- For sliding off hoses, e.g. fuel, vacuum system, water hoses etc.



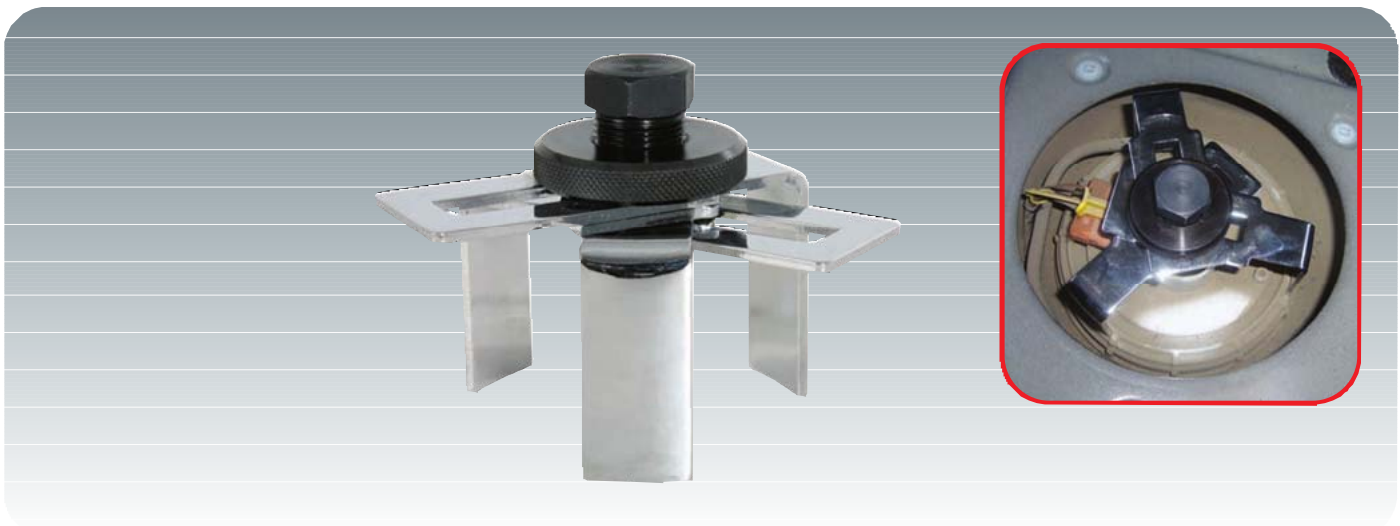
Fuel gauge sender unit keys

KS TOOLS	
150.9384 Fuel gauge sender unit key, adjustable	20 mm
Working dim.: 80 - 120 mm, Incl. knurled retaining screw for fixing diameter	
150.9385 Fuel gauge sender unit key, adjustable	25 mm
Working dim.: 110 - 170 mm, Incl. knurled retaining screw for fixing diameter	
Working dim.: 80 - 170 mm, incl. knurled retaining screw for fixing diameter	
Drive:	hexagon
Key width:	24 mm
Arms:	2



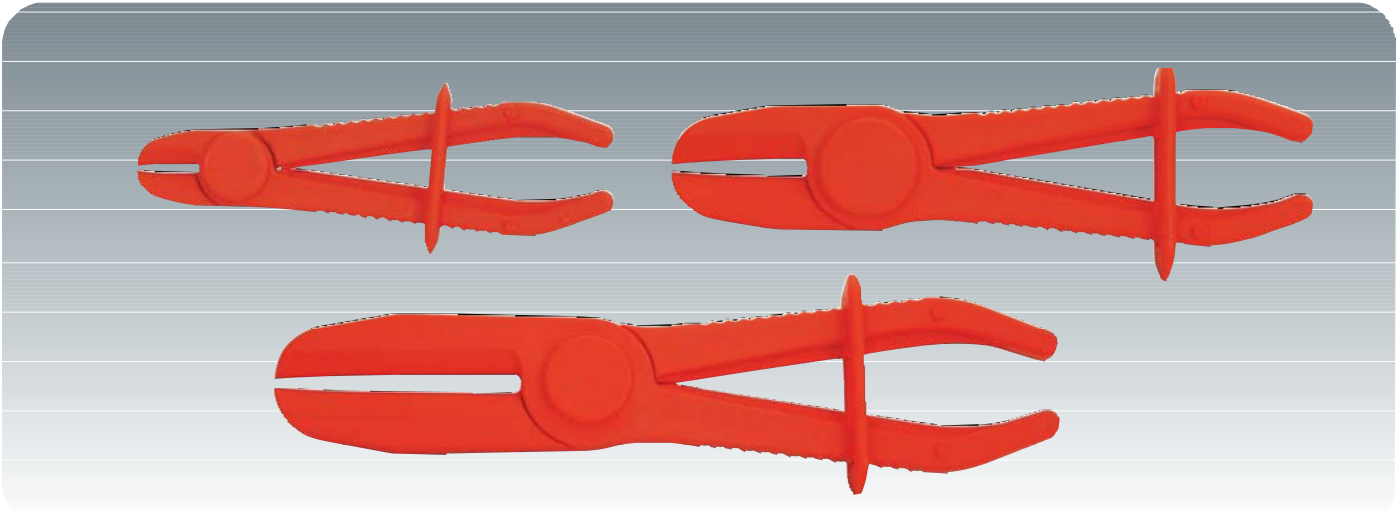
Fuel gauge sender unit key set, 2-pcs.

KS TOOLS 150.9387 consists of:
2 x Fuel gauge sender unit key



Fuel gauge sender unit key, 3 arms, adjustable

KS TOOLS	arm width
150.9386 Fuel gauge sender unit key, adjustable	25 mm
Working dim.: 75 - 160 mm, Incl. knurled retaining screw for fixing diameter	
- Universal applications	
- For the removal of the plastic cover of the fuel gauge sender unit at the fuel tank	
Drive:	hexagon
Key width:	24 mm
Arms:	3



Hose clamp gripper set, 3-pcs., for disconnecting flexible hoses (fuel, cooling water hoses) made from high quality plastic

- KS TOOLS 115.5050** consists of:
- Stops uncontrolled leakage of liquids on closed systems during service and repair
 - Attached by slipping the locking ring over the latching grooves on the handles
- 1 x **115.5052** Hose clamp gripper 150 mm for hose size up to Ø 15 mm
 - 1 x **115.5053** Hose clamp gripper 180 mm for hose size up to Ø 30 mm
 - 1 x **115.5054** Hose clamp gripper 250 mm for hose size up to Ø 60 mm



Syphon Pump, empty

- KS TOOLS 150.1660**
- This small and easy to use pump, allows siphoning or pumping of liquids, including petrol, diesel, oil, gear box oil, water etc.
 - The pump can also be adjusted into an air pump
- 1 x Pump
 - 2 x Rubber pipes red, each 13 mm x length = 1.25 m
 - 2 x Pipe clamps
 - 1 x Pipe reducer 6 mm
 - 1 x Plastic pipe 6 mm x length = 80 mm
 - 1 x Rubber pipe with clamp for air 13 mm x 0,40 m



Diesel filter bleed kit

KS TOOLS

150.9355

- To correctly bleed the diesel filters of different cars
- Application for filter change, for wrong tanking, empty tank, and so on
- Generation of vacuum via 'venturi effect', when lever is pressed, this allows the fuel to be sucked from the tank
- Inclusive pipe assortment for filter connections Ø 6 – 8 – 12 mm
- Connection followed after fitting diesel filter to the engine

- Filter change intervals: 60 000 km for Diesel

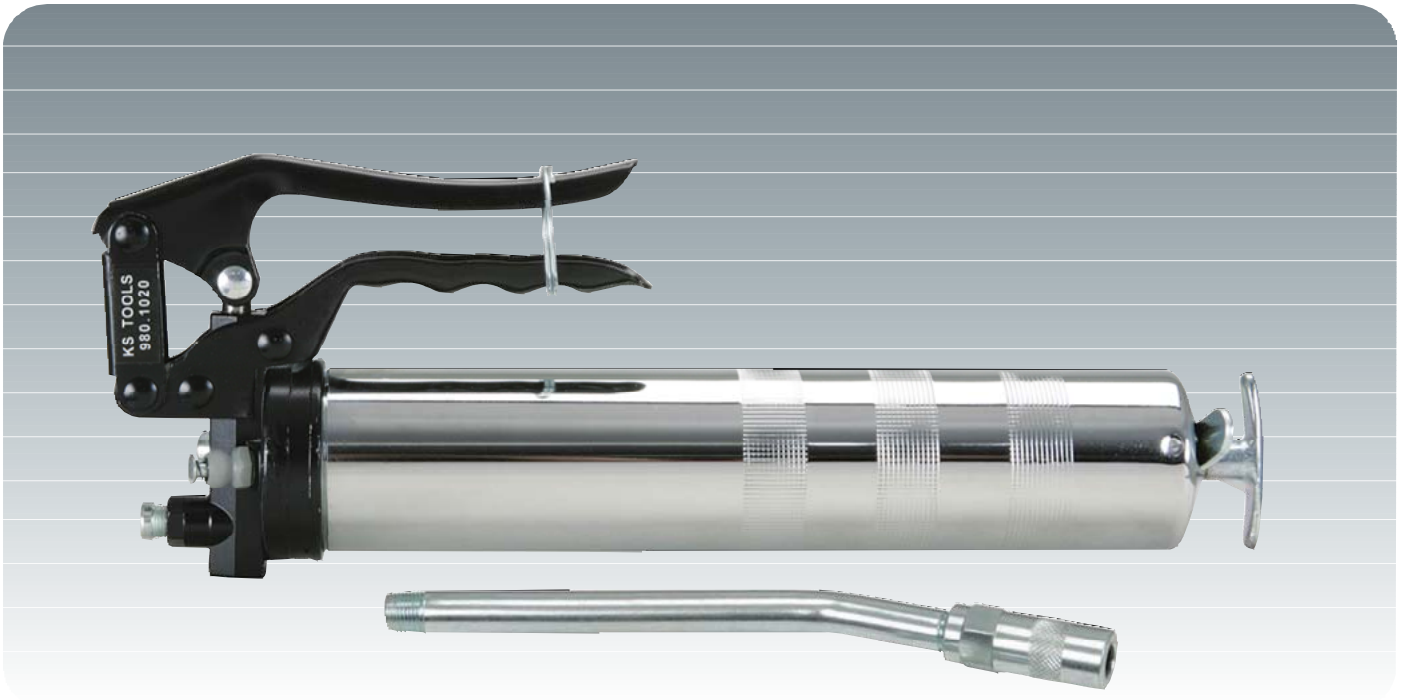
30 000 km for Biodiesel

- Application area: Pump injector engine eg. VAG
Diesel primer eg. z.B. DB, CDI engines
Peugeot HDI
Renault
Fiat
etc.



Grease gun, manual with flexible tube

KS TOOLS
980.1010 Grease gun, manual, capacity 450 g cartridges, and grease bucket



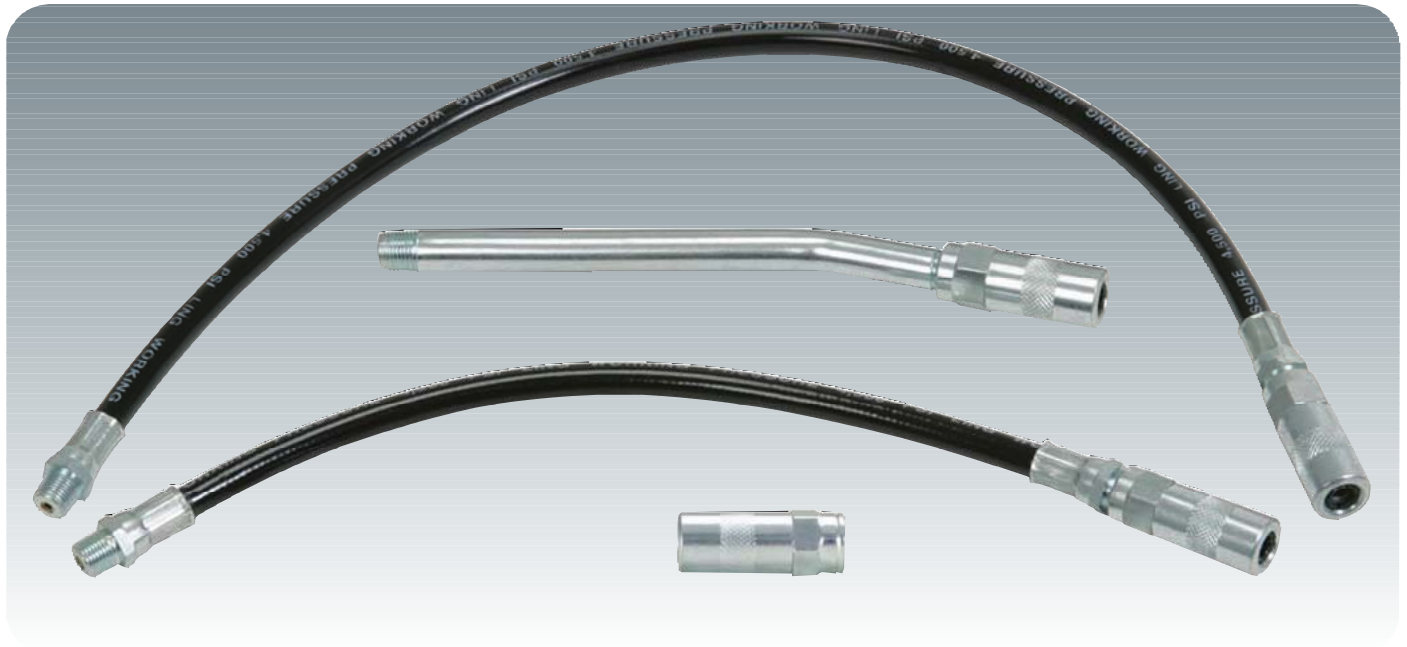
Single handed grease gun with rigid tube

KS TOOLS
980.1020 Grease gun, manual, capacity 450 g cartridges, and grease bucket



Pneumatic operated grease gun

KSTOOLS			
515.3900			
Capacity:	400 g cartridges, and grease bucket	Connection thread size:	1/4 NPT
Air consumption max:	170 l/min	Weight:	1,35 kg
Operating pressure:	10,3 bar	Including extras	Nylon tube 220 mm, flexile



Grease gun accessories

KSTOOLS		↳ mm ↵
980.1011	Flexible tube, short	300
980.1014	Rigid filling tube with nipple	160
980.1012	Flexible hose, long	500
980.1013	Filling nipple	