



3/8" Oil drain plug key set, 9-pcs.

KSTOOLS 150.9380 consists of:

- For various filling and drain plugs on oil sumps, gearboxes, and differentials
- 5 x Hexagon socket: dim. 8 - 10 - 12 - 14 - 17 mm for various car makers
- 3 x Square socket: dim. 8 - 10 - 11 mm
- dim. 8 e.g. Peugeot, Volvo, Renault, Nissan
- dim. 10 e.g. Ford, Volvo, Peugeot, Mazda
- dim. 11 e.g. other manufacturers
- 1 x Sliding T-bar 3/8", 200 mm long

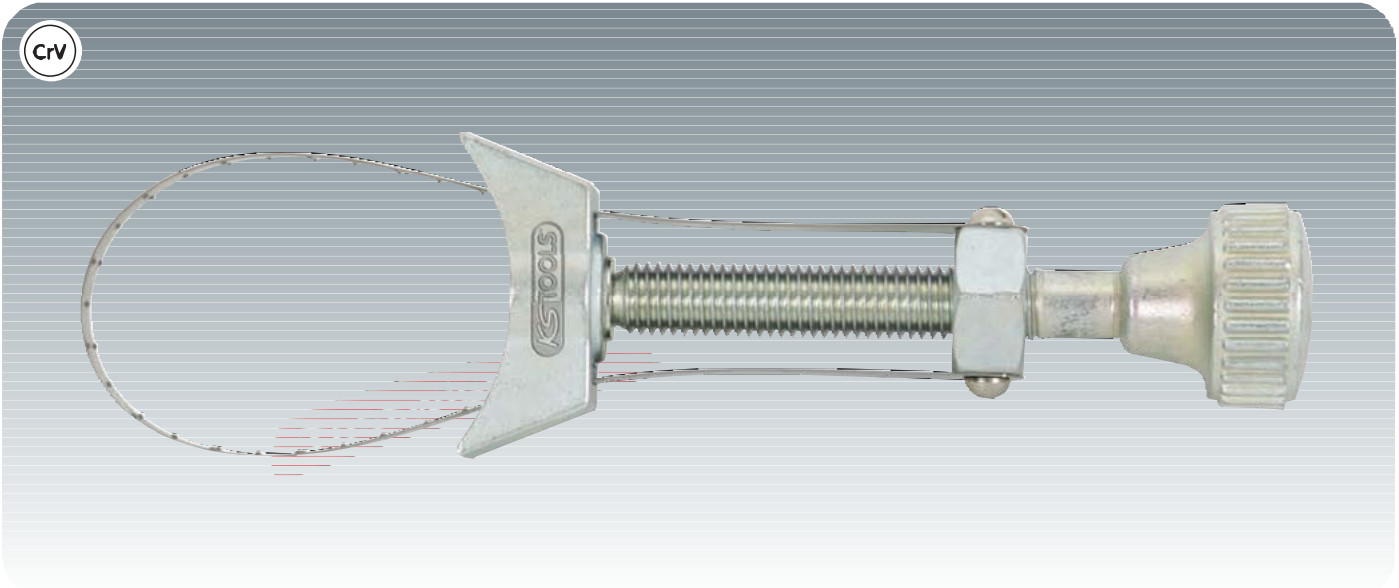


Oil drain plug key set, 6-pcs.

KSTOOLS 150.9390 consists of:

- For various filling and drain plugs on oil sumps, gearboxes, and differentials
- The drive on the hexagonal dim. 21 mm can be used with a socket or combination spanner
- Key length 52 mm

1 x Hexagon	5/16"	x	Hexagon	3/8"
1 x Square	8 mm	x	Square	3/8" (10 mm)
1 x Square	11 mm	x	Hexagon	12 mm
1 x Square	13 mm	x	Hexagon	14 mm
1 x Hexagon	17 mm	x	Hexagon	1/2"
1 x Hexagon	8 mm	x	Hexagon	10 mm



Band wrench for oil filter casing, notched spring steel band

KSTOOLS	Size
- Adjustable for correct filter size by turning the handle knob	155.5002 Band wrench for filter: 65-110 mm
- Notched band for secure grip on the filter	155.5003 Band wrench for filter: 110-155 mm
- The band material enables it to be used where normal wrenches would leave scratches or defacing	155.0238 Replacement band for: 65-110 mm
	155.0338 Replacement band for: 110-155 mm



Oil filter band wrench, adjustable, with rotating head

KSTOOLS	Capacity Ø
- 3 Positions rotating head for safe fixing	150.9377 Oil filter band wrench 60 bis 73 mm
- Narrow band and swivel for limited access	150.9378 Oil filter band wrench 73 bis 85 mm
- Swivel action tightens band on filter automatically	150.9379 Oil filter band wrench 85 bis 95 mm
- To ratchet, simply loosen grip and turn the band backwards on the filter	



Strap wrench, capacity up to Ø 150 mm, body made from high quality glass reinforced polypropylene, strap made from toughened non-slip rubber



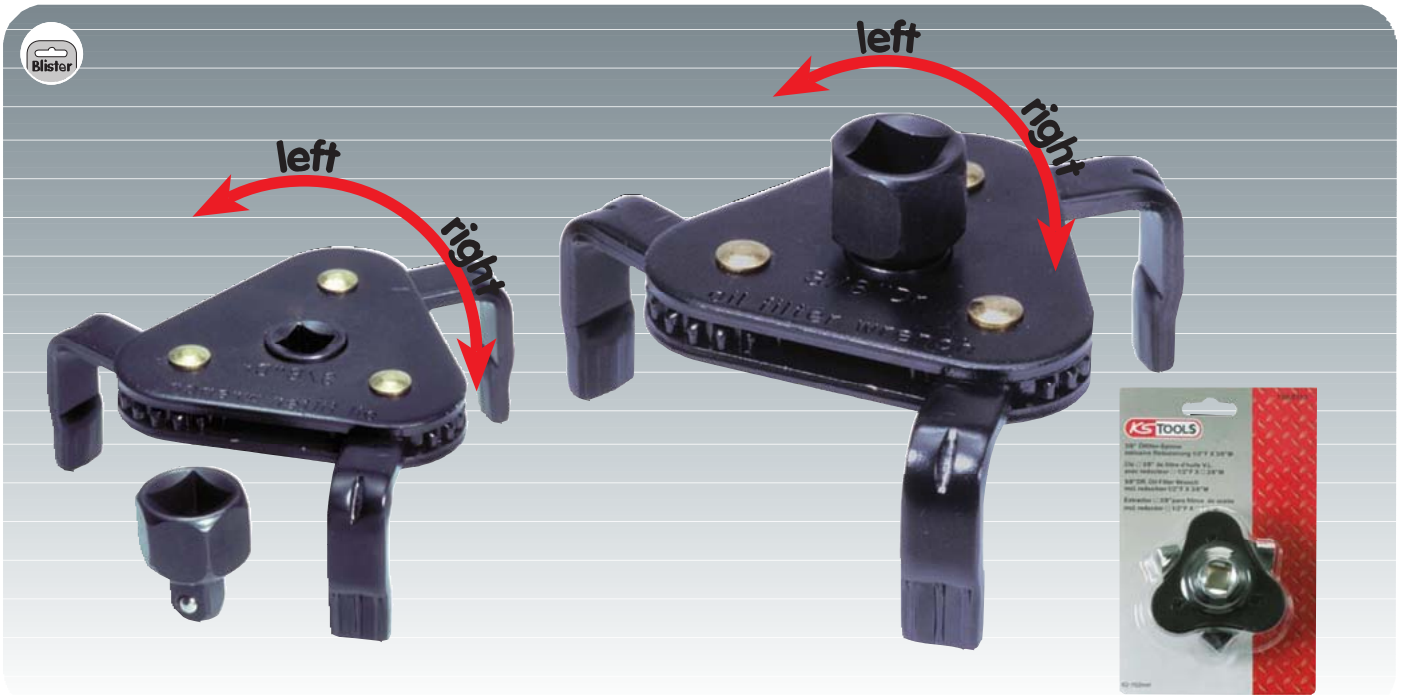
- 114.0150** Strap wrench
- Also suitable for loosening tight radiator and fluid reservoir caps
 - The serrated edge holds the strap tight in the desired position
 - The strap material enables it to be used where normal wrenches would leave scratches or defacing



1/2" Chain wrench for oil filters air dryer cartridges, extra heavy version with dual chains



<ul style="list-style-type: none"> - The very narrow but extremely tough dual chain is twisted on the drive and pulls tight around the filter, cartridge etc. - Can be used also with an extension and ratchet 	150.9375 Chain wrench	Capacity Ø 130 mm
	150.9376 Chain wrench	Capacity Ø 165 mm



Oil filter wrench, adjustable 3 arms, including adaptor 1/2" to 3/8" drive

KS TOOLS	150.9313 Oil filter wrench, adjustable for Ø	63 - 102 mm
KS TOOLS	150.9314 Oil filter wrench, adjustable for Ø	65 - 138 mm



Filter wrench 3 arms for oil filters and air dryer cartridges, forged version, heavy duty

KS TOOLS	700.5001 Filter wrench for Ø	60 - 110 mm	dim. 24	heavy duty for cars
KS TOOLS	700.5002 Filter wrench for Ø	112 - 155 mm	dim. 30	heavy duty for trucks



Oil sump and oil filter set, 13-pcs.

- KS TOOLS 150.9300** consists of:
- Compact with useful tools for the drainage and filling of oil sumps, gear boxes, differentials and oil filter changes
 - 1 x Hexagonal 5/16" x Hexagonal 3/8"
 - 1 x Square 8 mm x Square 3/8" (10 mm)
 - 1 x Square 11 mm x Hexagonal 12 mm
 - 1 x Square 13 mm x Hexagonal 14 mm
 - 1 x Hexagonal 17 mm x Hexagonal 1/2"
 - 1 x Hexagonal 8 mm x Hexagonal 10 mm
 - 1 x 3/8" Socket 21 mm for oil sump screw
 - 2 x 3/8" Bit socket T40-45
 - 1 x 3/8" Extension 250 mm
 - 1 x 3/8" Slide bar for extension
 - 1 x Oil filter wrench, size 65 - 110 mm
 - 1 x Oil filter cap for Ø 63 - 102 mm
 - PE foam System insert, resistant to workshop chemicals, removable, fits in KS Tools workshop trolleys!
 - Dim.: 390D mm x 282W x 40H



Oil filter spanner for Haldex coupling

- KS TOOLS** **150.2098** Oil filter spanner for Haldex coupling **390 mm**
- Dim 46 mm- 12 faced
 - Applications:** e.g VW 5+6 speed gear-boxes (For Motion, Bora, Golf IV, Sharan, Skoda-Oktavia)



3/8" Oil filter socket set, cup form, 3-pcs.

KSTOOLS 150.9365 consists of:

- Drive 3/8" square or outer hexagon dim. 21
- For removal and fitting of oil filter housings while changing oil filters
- The filter housing can be tightened to exact torque (filter sockets graded eg. 25 Nm)

3 x Oilfilter sockets:

- 1 x Dim. 27 mm hexagon
- 1 x Dim. 32 mm hexagon
- 1 x Dim. 36 mm hexagon



3/8" Oil filter sockets, cup form, ideal also for use with torque wrench for controlled tightening to manufacturers specifications

KSTOOLS	size	grade	sides	auto type / manufacture:
150.9366	27	1	6	MERCEDES BENZ , (Smart, A-Klasse Type 168) MAZDA 2 und 3 (1.4 und 1.6L Diesel-Motor) etc.
150.9367	32	1	6	OPEL Astra G, Corsa B, Zafira (X10XE/X12XE/Y17DT/Y17DTL- engines) VW Passat AUDI Mercedes Benz LKW OM 364, OM 366 engines etc.
150.9368	36	1	6	Mercedes Benz C- and E-Klasse Diesel, Diesel engines TYP OM 604, 605, 606 BMW Motore Typ M52 (6-Zyl.), M60 (8-Zyl.), M70 (12-Zyl.) Ford VW Lupo 1.2 TDI, VR6-engine ROVER MINI One/Cooper/Cooper S OPEL Vectra B DI 16V etc.



metal & plastic compatible!



3/8" Oil filter sockets, cup form ideal for use with torque wrench, for a controlled tightening according to manufacturers specifications

KSTOOLS	Size	Steps	Grooves	Sides	Vehicle types:
150.9321	dim. 65	1		14	DAIHATSU, TOYOTA, NISSAN, FIAT, First Champ, Hastings, GM/Ac, Wix; Napa; Purolator
150.9336	dim. 66	1	6		FIAT Punto 1,2, RENAULT Clio 1,2/Kangoo/Rapid/Twingo
150.9330	dim. 65/67	2		14	DAIHATSU, TOYOTA, Fram PH4386/PH4967/PH6017/PH6018
150.9322	dim. 68	1		14	MAZDA, FORD Escort/Capri, SUBARU, Hastings, Fram PH6607, Motorcraft FL816
150.9323	dim. 73	1		14	TOYOTA, LEXUS
150.9337	dim. 74	1		15	AUDI, GM, ROVER, CHRYSLER, MF
150.9324	dim. 74/76	2		15	FORD, OPEL, VW, AUDI, MERCEDES, Fram, Ac, Saturn
150.9333	dim. 75/77	2		15	VW, AUDI, FORD, ISUZU, MERCEDES, OPEL, Casite, GM/Ac, Hastings, Napa, Wix
150.9338	dim. 76	1	12		FIAT Ducato/Scudo/Ulysee, RENAULT Megane/Laguna/Espace III, MERCEDES
150.9325	dim. 76	1		14	VW, MERCEDES, PORSCHE, BMW, AUDI, OPEL, Champion, Champ Lee, Purolator, Mopar
150.9339	dim. 76	1	8		FIAT Marea, LANCIA Delta
150.9334	dim. 76	1	30		FORD, Motorcraft FL400A
150.9341	dim. 78	1		15	NISSAN, FORD, TOYOTA
150.9326	dim. 80	1		15	NISSAN, HONDA, OPEL, MAZDA, Hastings, Fram, Purolator
150.9331	dim. 80/82	2		15	SUBARU, TOYOTA, HONDA, MAZDA, NISSAN, Acura, Napa, Wix
150.9343	dim. 86	1		16	VOLVO S40/S60/S70/S80
150.9342	dim. 86	1		18	VW III Tdi/Passat Tdi, AUDI A6 Tdi, RENAULT Clio/Rapid 1.9D/Laguna/Safrane/Espace 2.1D, PEUGEOT, CITROEN
150.9332	dim. 90	1		15	HONDA Accord, MITSUBISHI, ISUZU, Mopar
150.9344	dim. 92	1		10	FIAT Cinquecento/Coupe/Croma/Panda/Regata/Ritmo/Seicento/Temptra/Tipo LANCIA Beta/Dedra/Kappa/Monte Carlo/Prisma/Thema/Trevi
150.9327	dim. 93	1		15	MAZDA, VOLVO, MITSUBISHI, NISSAN, HONDA, Champion, GM, Fram, Hastings, Purolator, Wix
150.9329	dim. 93	1	36		FORD, Motorcraft FL1A/FLA1B/FL300/FL820
150.9345	dim. 93	1	45		VW / AUDI Tdi 2.4 / 2.6 / 2.8
150.9346	dim. 95	1	15		TOYOTA, ALFA, GM, FORD, CHRYSLER
150.9347	dim. 96	1	18		VW Passat 97 Tdi, AUDI A4/A6 Tdi, RENAULT Laguna 2.2D/Safrane 2.2D
150.9335	dim. 100	1		15	ISUZU, MITSUBISHI, Fram, Motorcraft, Wix
150.9348	dim. 106	1		15	FIAT Ducato 2.5D
150.9349	dim. 108	1		15	Volvo Diesel C70/S70/V70/850 Tdi
150.9351	dim. 108	1	18		RENAULT Espace/Laguna/Master/Safrane/Traffic 2.4+2.5+2.8D/Tdi



3/8" Oil filter socket set, cup form, 16-pcs.

KS TOOLS 150.9310 consists of:

- Cup form oil filter sockets with 3/8" drive
- Due to the socket shape construction ideal for tight places
- Where necessary filters or filter caps can be tightened exactly to torque settings

Suitable for: Audi, BMW, Fiat, GM, Lancia, Mercedes Benz, Nissan, Opel, Porsche, Renault, Saab, Volvo, VW and other makes. Also suitable for Volvo Plastic oil filter .

14 x Oil filter sockets:

- Dim. 66 mm 6 Grooves, Dim. 76 mm 8 Grooves,
- Dim. 76 mm 12-sided, Dim. 76 mm 14-sided,
- Dim. 86 mm 16-sided, Dim. 86 mm 18-sided,
- Dim. 92 mm 10-sided, Dim. 93 mm 15-sided,
- Dim. 93 mm 45 Grooves, Dim. 96 mm 18 Grooves,
- Dim. 106 mm 15-sided, Dim. 108 mm 15-sided,
- Dim. 108 mm 18 Grooves, Dim. 74/76mm 15-sided

1 x Oil filter wrench, adjustable 65-138 mm

1 x Adaptor 1/2"F to 3/8"M



3/8" Oil filter socket set, cup form, 15-pcs.

KS TOOLS 150.9320 consists of:

- Cup form oil filter sockets with 3/8" drive
- Due to the socket shape construction ideal for tight places
- Where necessary filters or filter caps can be tightened exactly to torque settings

Suitable for: BMW, Daihatsu, Ford, GM, Honda, Mazda, Mercedes Benz, Mitsubishi, Opel, Porsche, Renault, Saab, Subaru, Toyota, VW and other models

14 x Oil filter sockets:

- Dim. 65 mm 14-sided, Dim. 68 mm 14-sided,
- Dim. 73 mm 14-sided, Dim. 76 mm 14-sided,
- Dim. 76 mm 30 Grooves, Dim. 80 mm 15-sided,
- Dim. 90 mm 15-sided, Dim. 93 mm 15-sided,
- Dim. 93 mm 36 Grooves, Dim. 100 mm 15-sided,
- Dim. 65/67 mm 14-sided, Dim. 74/76 mm 14-sided,
- Dim. 75/77 15-sided, Dim. 80/82 mm 15-sided

1 x Adaptor 1/2"F to 3/8"M



3/8" Oil filter socket set, cup form, 30-pcs.

KSTOOLS 150.9350 consists of:

- Cup form oil filter sockets with 3/8" drive
- Due to the socket shape construction ideal for tight places
- Where necessary filters or filter caps can be tightened exactly to torque settings

Suitable for: Alfa Romeo, Audi, BMW, Daihatsu, Fiat, Ford, GM, Honda, Lancia, Lexus, Mazda, Mercedes Benz, Mitsubishi, Nissan, Opel, Porsche, Renault, Saab, Subaru, Toyota, Volvo, VW and other models

28 x Oil filter sockets:

- Dim. 65 mm 14 sided, Dim. 66 mm 6 Grooves,
- Dim. 68 mm 14 sided, Dim. 73 mm 14 sided, Dim. 74 mm 15 sided,
- Dim. 76 mm 8 Grooves, Dim. 76 mm 12 sided,

- Dim. 76 mm 14 sided, Dim. 76 mm 30 Grooves,
- Dim. 78 mm 15 sided, Dim. 80 mm 15 sided,
- Dim. 86 mm 16 sided, Dim. 86 mm 18 sided,
- Dim. 90 mm 15 sided, Dim. 92 mm 10 sided,
- Dim. 93 mm 15 sided, Dim. 93 mm 36 Grooves,
- Dim. 93 mm 45 Grooves, Dim. 95 mm 15 Grooves,
- Dim. 96 mm 18 Grooves, Dim. 100 mm 15 sided,
- Dim. 106 mm 15 sided, Dim. 108 mm 15 sided,
- Dim. 108 mm 18 Grooves, Dim. 65/67 mm 14 sided,
- Dim. 74/76 mm 15 sided, Dim. 75/77 15 sided,
- Dim. 80/82 mm 15 sided

- 1 x Oil filter wrench, adjustable 62-120 mm,
- 1 x Adaptor 1/2" F to 3/8" M



Transporter & HGV's!



1/2" Oil filter socket set, cup form, 9-pcs.

KS TOOLS 150.9290 consists of:

- Cup form oil filter socket with 1/2" Driver or Dim 21
- Due to cup for, ideal for difficult to reach areas
- For loosening and tightening oil filter, petrol filter and air filter housings whilst changing oil

Advantages:

- The size of the socket is dependant on the working area you have available, can be tightened exactly with a torque wrench (even with extension) with 1/2" square drive

7 x Oil filter sockets:

- 1 x Dim. 36 mm 6-point
- 1 x Dim. 74 mm 14-point
- 1 x Dim. 106 mm 15-point
- 1 x Dim. 107 mm 15-point
- 1 x Dim. 108 mm 15-point
- 1 x Dim. 108 mm 18-point
- 1 x Dim. 135 mm 18-point
- 1 x Band wrench to Ø 160 mm 1/2" and dim. 21
- 1 x Ring spanner dim. 24 / 12 sides offset



1/2" HGV Oil filter socket, cup form, ideal for use with torque wrench, for controlled tightening to manufactures specification

KSTOOLS	size	grade	grooving	sides	manufacturer / type:
150.9291	36	1		6	MERCEDES BENZ, (AXOR BR400, ATEGO BR900, ACTROS BR500), SCANIA (PDE V8-Motor, HPI-Motor)
150.9292	74	1		14	MERCEDES BENZ, (Sprinter Motor Version 600), VW (Transporter) and div. PKW Turbodiesel
150.9293	106	1		15	MAN (8-10 To.-Serie L2000), SCANIA (PDE-Motor), FIAT (DUCATO 2,5 D/TD), IVECO
150.9294	107	1		15	VOLVO / IVECO / RENAULT / SCANIA
150.9295	108	1		15	VOLVO / IVECO / RENAULT / SCANIA
150.9296	108	1	18		RENAULT Transporter (Master, Traffic 2,4 /2,5 / 2,8 D/TD), OPEL (Movano)
150.9297	135	1		18	MAN (18 - 48 To. Serie F2000, TGA)
150.9298	Band wrench to Ø 160 mm with 1/2" Square drive + 21 mm outer hexagon				Universal applications, particularly for filters without drive profile
150.9299	Ring spanner dim. 24 / 12 sides offset				



Drain pan, plastic, extra flat, capacity 8 Litre, oil and chemical resistant

150.9357	Empty feature:	Ø 3,5 cm makes for clean emptying
- With 3 carry handles	Weight:	0,18 kg
- 12 cm height, extra flat for lower vehicles	Material:	Polyethylene
- Suitable for oil, chemicals, petrol, acids and antifreeze	Wall thickness:	4 mm
- Non spill, turned in rim, stops spillage during transport	Size:	W 600 x D 340 x H 120 mm